

申贝齿轮泵

选型资料

上海申贝泵业制造有限公司

SHANGHAI SHENBEI BENGYE MANUFACTURE CO.,TD

企业简介

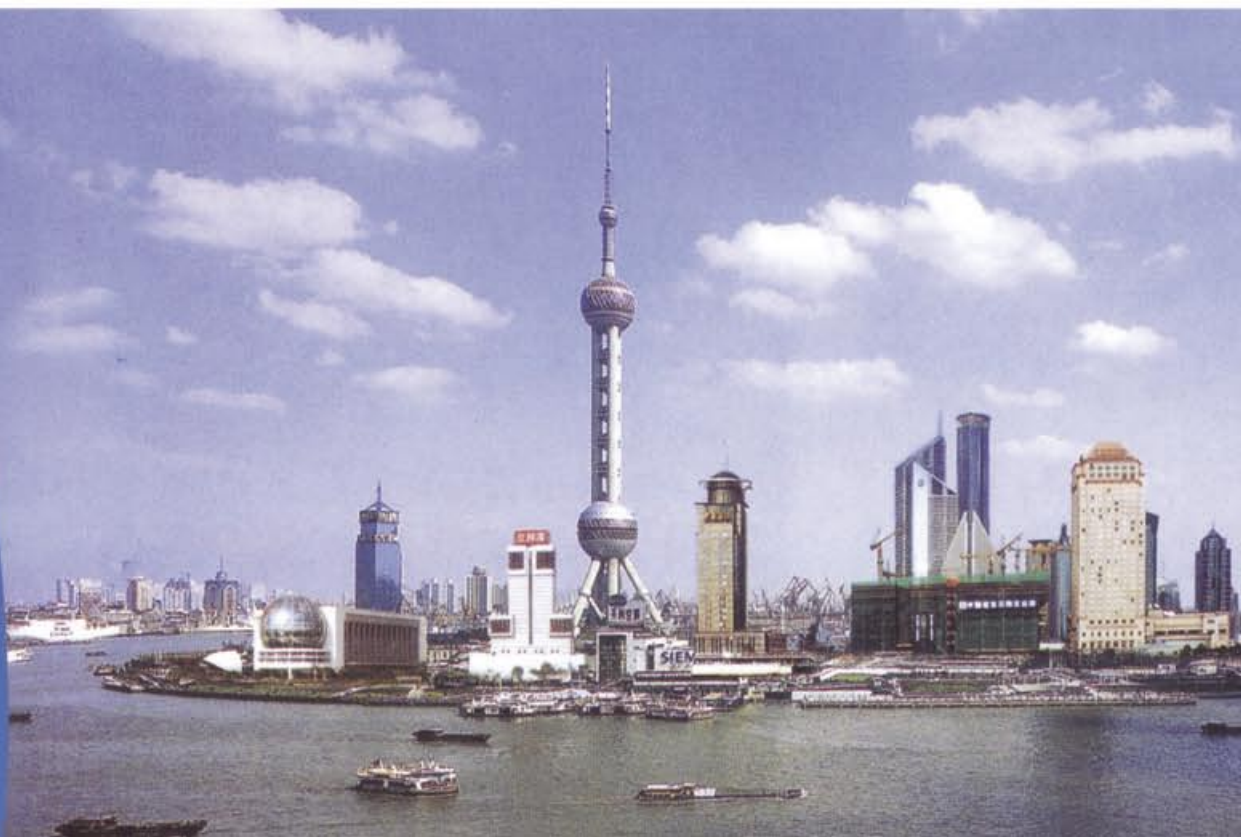
Introduction

上海申贝泵业制造有限公司是一家国内著名的以研究生产特殊泵为龙头产品、实行多元化经营的企业，公司最初成立于1992年，2000年因市场需要进行优化重组，现拥有计量泵厂、螺杆泵厂、高压往复泵、耐腐蚀泵厂等几家特殊泵厂。产品广泛应用于电力、环保、石油、化工、医药等各个领域。



公司座落于上海松江高新技术开发区，占地15000平方米，现有员工100多人，拥有一支高素质的员工队伍及现代化生产设备，现拥有50台/套先进的生产和检验设备，50%以上具有大专以上的学历，其中工程技术人员20多名，全国知名水泵专家2人，并已发展成为研究、开发、生产销售一体化的经营实体，产品品种达一千多种，涵盖特殊泵系列，其产品性能合理、质量安全可靠。

与时俱进的上海申贝，秉承着“质量第一，用户至上；开拓进取、追求卓越；以一切为了用户满意”的企业宗旨，正以不可阻挡的步伐跻身于知名企业的行列。



KCB型、2CY型齿轮式输油泵 KCB,2CY Gear Oil line pump

概述

本泵适用于输送各种油类，如原油、柴油、润滑油。配有铜齿轮可输送低闪点液体，如汽油、苯等。介质温度不超过70℃，耐高温油泵的使用温度不超过300℃。（如该泵采用不锈钢，可输送一般腐蚀性）

KCB系列输油泵规格及技术性能参数

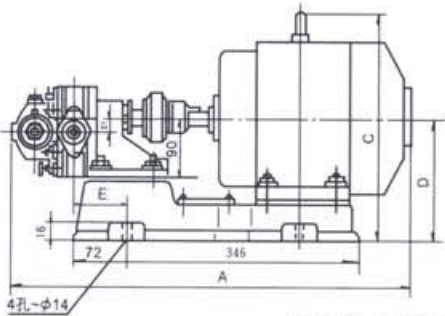
Specifications and technical parameters of KCB oil pumps

型号 Model	流量 Flux	压力 Pressure	真空度 Vacuum	进出口 口径 Diam	功率 Power	允许介质 最大粘度 Max viscosity of media
	l/min	Mpa	-Mpa	inch	KW	C.S.t
KCB18.3	18.3	1.45	0.05	3/4"	1.5	500
KCB33.3	33.3	1.45	0.05	3/4"	2.2	500
KCB55	55	0.33	0.05	1"	1.5	500
KCB83.3	83.3	0.33	0.05	1 1/2"	2.2	500
KCB200	200	0.33	0.05	2"	5.5	500
KCB300	300	0.36	0.05	3"	5.5	500
KCB483.3	483.3	0.36	0.05	3"	7.5	300
KCB483.3	483.3	0.36	0.05	3"	11	500
KCB633	633	0.28	0.05	4"	11	500
KCB960	960	0.28	0.05	4"	18.5	300
KCB1667	1667	0.3	0.05	6"	30	500
KCB2000	2000	0.3	0.05	6"	30	500
KCB2500	2500	0.3	0.05	6"	37	500

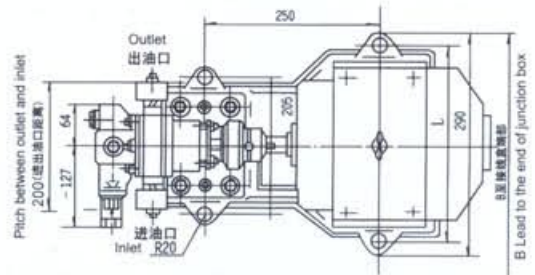
We can produce the stainless steel gear pump. "P" Denotes in the end 均有生产不锈钢齿轮泵末尾加"P"

Summarize

This pump is suitable to carry various oils, such as the thick oil, diesel fuel and lubricator, also it's available to transport the fluidities with low flashing point by equipped with copper gear, such as gasoline and benzene, etc. Take care that the media temperature shouldn't surpass 70℃ and the available temperature of oil pump against high temperature shouldn't more than 300℃. (If this pump adopts the stainless steel, it can transmit the common corrosion)



KCB18.3-83.3 2CY1.1-5安装尺寸图 Mounting dimensions



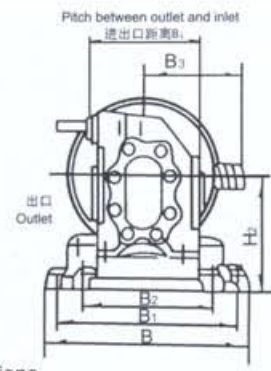
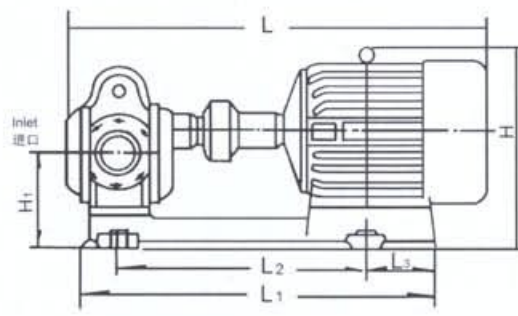
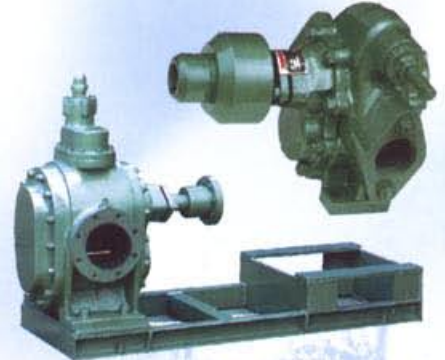
型号 Model	电动机 Electric motor		A	B	C	D	E	G"	L
	型号 Model	功率 Power							
KCB18.3-2 (2CY-1.1/14.5-2)	Y-90L-4	1.5	583	300	230	130	79	3/4"	230
KCB33.3-2 (2CY-2/14.5-2)	Y-100L1-4	2.2	618	325	285	140	79	3/4"	250
KCB55-2 (2CY-3.3/3.3-2)	Y-90L-4	1.5	588	300	230	130	86.5	1"	230
KCB83.3-2 (2CY-5/3.3-2)	Y-100L1-4	2.2	658	325	285	140	99	1 1/2"	250

KCB型、2CY型齿轮式输油泵 KCB,2CY Gear Oil line pump

2CY系列输油泵规格及技术性能参数 Specifications and technical parameters of 2CY oil pumps

型号 Model	流量 Flux	压力 Pressure	真空度 Vacuum	进出口 口径 Diam	功率 Power	允许介质 最大粘度 Max viscosity of media
	m ³ /h	Mpa	-Mpa	inch	KW	c.s.t
2CY1.1/14.5-2	1.1	1.45	0.05	3/4"	1.5	500
2CY2/14.5-2	2	1.45	0.05	3/4"	2.2	500
2CY3.3/3.3-2	3.3	0.33	0.05	1"	1.5	500
2CY5/3.3-2	5	0.33	0.05	1 1/2"	2.2	500
2CY8/3.3-2	8	0.33	0.05	2"	3	500
2CY8/6-2	8	0.6	0.05	2"	4	500
2CY12/1.3-2	12	0.13	0.05	2"	4	500
2CY12/3.3-2	12	0.33	0.05	2"	5.5	500
2CY12/6-2	12	0.6	0.05	2"	5.5	500
2CY12/10-2	12	1.0	0.05	2"	7.5	500
2CY18/3.6-2	18	0.36	0.05	3"	5.5	500
2CY18/6-2	18	0.6	0.05	3"	7.5	500
2CY29/3.6-2	29	0.36	0.05	3"	7.5	500
2CY29/10-2	29	1.0	0.05	3"	11	500
2CY38/2.8-2	38	0.28	0.05	4"	11	500
2CY60/3-2	60	0.3	0.05	4"	18.5	500
2CY100/3-2	100	0.3	0.05	6"	30	500
2CY100/6-2	100	0.6	0.05	6"	55	500
2CY120/3-2	120	0.3	0.05	6"	30	500
2CY120/6-2	120	0.6	0.05	6"	55	500
2CY150/3-2	150	0.3	0.05	6"	37	500
2CY150/7-2	150	0.7	0.05	6"	75	500

We can produce the stainless steel gear pump "P" Denotes in the end
均有生产不锈钢齿轮泵末尾加"P"



KCB300-960 2CY8-150安装尺寸图 Mounting dimensions

型号 Model	L	L1	L2	L3	H	H1	H2	B	B1	B2	B3
KCB-300 (2CY-18/3.6-2)	855	690	470	100	413	188	230	410	370	315	210
KCB-483.3 (2CY-29/3.6-2)	855	690	470	100	413	188	230	410	370	315	210
KCB-200 (2CY-12/10-2)	800	655	450	116	315	182	220	380	340	250	210
KCB-633 (2CY-38/2.8-2)	1116	898	570	163	510	210	305	440	390	280	237
KCB-960 (2CY-60/3-2)	1156	941	600	176	555	210	305	460	410	280	237
2CY-100/3-2	1460	1446	931.5	274.5	922	387	475	490	440	370	406
2CY-120/3-2	1460	1446	931.5	274.5	922	387	475	490	440	370	406
2CY-150/3-2	1790	1614	1071	303	952	387	475	628	578	370	508

2CY型齿轮式润滑泵 2CY Gear Lubricating pump

概述

2CY系列齿轮润滑泵主要用于各种机械设备中的润滑系统中输送润滑油。适用于输送粘度在 10° E(75c.s.t)以下, 温度在 300°C 以下的具有润滑性的油料。不锈钢齿轮泵可输送食用油料、饮料等。配用铜齿可输送低闪点液体, 如汽油、苯等。

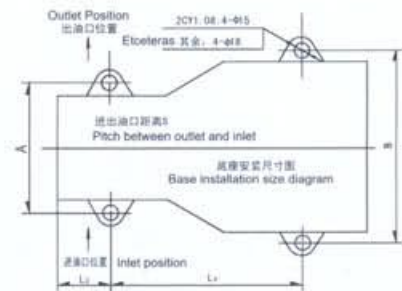
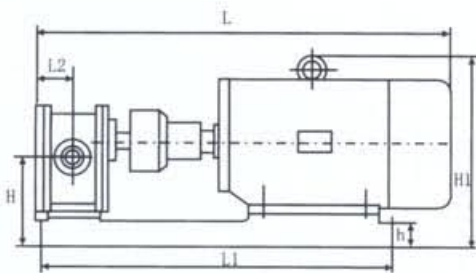
2CY系列输油泵规格及技术性能参数

Specifications and technical parameters of 2CY oil pumps

型号 Model	流量 Flux m ³ /h	压力 Pressure Mpa	真空度 Vacuum -Mpa	进出口 口径 Diam inch	功率 Power KW	备注 Remark
2CY1.08/10	1.08	1.0	0.05	3/4"	0.75	不锈钢齿 泵在型 号末尾 加 "P" "p" Denotes gear pump in stainless steel
2CY1.08/25	1.08	2.5	0.05	3/4"	1.5	
2CY2.1/10	2.1	1.0	0.05	1"	1.5	
2CY2.1/25	2.1	2.5	0.05	1"	3	
2CY3/10	3	1.0	0.05	1"	2.2	
2CY3/25	3	2.5	0.05	1"	4	
2CY4.2/10	4.2	1.0	0.05	1 1/4"	3	
2CY4.2/25	4.2	2.5	0.05	1 1/4"	5.5	
2CY7.5/10	7.5	1.0	0.05	1 1/2"	4	
2CY7.5/25	7.5	2.5	0.05	1 1/2"	7.5	
2CY12/3.3	12	0.33	0.05	2"	5.5	
2CY12/10	12	1.0	0.05	2"	7.5	
2CY18/3.6	18	0.36	0.05	3"	5.5	
2CY29/10	29	1.0	0.05	3"	11	

Summarize

2CY series gear lubricating pump is mainly to carry the lubricator in various lubricating system of mechanical equipments, also is's suitable to carry the oils with the lubricational feature and their viscosity should below 10° E(75c.s.t) and the temperature should less than 300°C , furthermore, the gear pump in stainless steel can transport the edible oils, beverages and so on. Combine with the copper gear, it can transmit the low-flash point liquid, such as the gasoline and benzol etc.



型号 Model	配用电机 Motor	H	H1	L	L1	L2	L3	L4	B	A	s
2CY1.08	Y90L-4	115	227	512	426	50	68	280	220	180	95
2CY2.1	Y100L2-4	126	295	573	473	57	73	320	250	205	110
2CY3	Y112M-4	126	305	587	480	57	73	320	290		
2CY4.2	Y132S-4	168	375	702	612	72	98	430	340	250	142
2CY7.5	Y132M-4	168	375	744	612	72	98	430	340		

YHCB系列圆弧齿轮油泵 YHCB series round arc gear oil pump

概述

YHCB系统圆弧齿轮油泵主要适用于输送粘度在5-1500 c.s.t, 不含固体颗粒无腐蚀性的各种液体。如：汽油、煤油、柴油及机械润滑油，是油槽汽车和石油部门的理想优选泵种。

本型泵采用双圆弧齿轮构成，是适应工业输油泵需求发展的新产品，是一种高效能特殊齿轮泵，具有流量大、扬程高、体积小、噪声低、输入转速低、自吸性能强、安装、维修方便等特点。

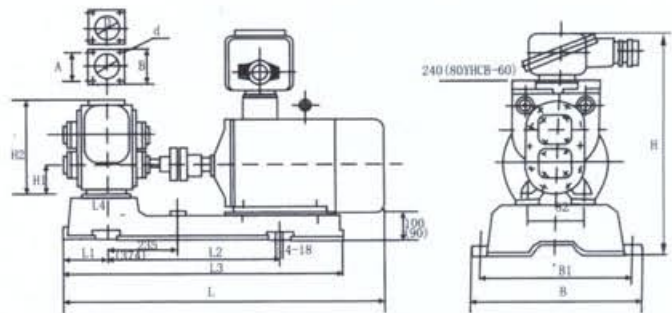
规格及技术性能参数 Specifications and technical parameters

型号 Model	流量Flux m ³ /h	工作压力Pressure Mpa	转速Rotation r/min	真空度Vacuum -Mpa	配用电机Motor	
					型号Model	功率Power KW
80YHCB-60	60	0.6	980	0.07	汽车带动Vehicle driven	11
100YHCB-100	100	0.4	970	0.07	YB200L2-6	22
150YHCB-150	150	0.4	970	0.07	YB250M-6	37

Summarize

YHCB series round arc gear oil pump is mainly for carrying the various fluidities with the viscosity of 5-1500c.s.t and without the solid particles and noncorrosion. For example: gasolene, kerosene and diesel fuel and mechanical lubricator. so that, it's the premium choice for the tank truck and petroleum corporations.

This pump adopting dual arc gear is the latest products necessary to the development of industrial oil pump, which is of a special gear pump with high efficiency and has the following merits such as large flux, high lift, small volume, low noise, low rotary speed for input, strong self priming, convenient mounting and maintaining and so on.



型号 Model	泵外形尺寸 Outline Dimensions pump				进出油口 Inlet and outlet				泵机安装尺寸 Mounting dimensions for pump						电机Motor		
	H1	H2	L4	B2	D	A.A	B.B	d	L	L1	L2	L3	B	B1	H	型号 Model	功率 Power KW
80YHCB-60	102	312	105	160	φ 80	92×92	120×120	4-φ 14	1089	145	594	960	430	470	630	汽车带动 Vehicle driven	11
100YHCB-100	124	362	145	200	φ 100	104×104	140×140	4-φ 14	1276	188	677.5	1053	550	510	715	YB200L2-6	22

WCB-S型微型齿轮式输油泵 WCB-S micro Gear oil line pump

概述

WCB.S型输油泵能将粘度为1-8°E清洁的中性油液(例如:机油、煤油、柴油等矿物油和各种植物油)从一容器输送到另一容器内。它能提高工作效率、减轻劳动强度,因此,适合商业、工业、农业等行业作输油之用。

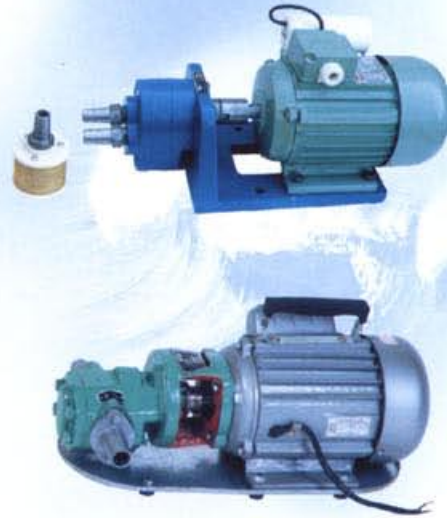
规格及技术性能参数

Specifications and technical parameters

型号 Model	流量 Flux l/min	输送高度 Pumping height (m)	重量 Weight (kg)	驱动功率 Power (kw)	使用电源 Power source (v)	
S-10	10	15	16	180	110/220	
				250	380	
S-25	25	15	21	370	110/220	
				550	380	
S-50	50	15	40	1100	380	
S-125	125	15	76	2200	380	
WCB30	30	30	17	370	220	
WCB50	50	30	19	550	220	
WCB75	75	30	21	750	220	
WCB30P	30	30	17	370	220	不锈钢
WCB50P	50	30	19	550	220	
WCB75P	75	30	21	750	220	

Summarize

WCB.S oil line pump can carry the pure and neutral oil (e.g.: engine oil, kerosene, diesel fuel, etc and various plant oils) with the viscosity of 1-8°E from one container to another, it can improve the working efficiency, reduce the labor strength, therefore, it's suitable for the oil transportation in commerce, industry, agriculture and so on.



三相电泵、机床冷却油泵性能及技术参数

Performance and technical parameter of three-phase electric pump, machine tool cooling oil pump

系列名称 Series name	电泵型号 Model	额定功率 Powerl	额定电泵 Motor pump	最高扬程 Head	最大流量 Flux
DB	DB-6	40W	380V	3.3	6
	DB-12	40W	380V	3	12
	DB-25A	120W	380V	4	25
	DB50	120W	380V	4	50
	DB100	250W	380V	4	100
AB	AB-12	40	380V	3	12
	AB-25	90	380V	4	25
	AB-50	120	380V	4	50
	AB-100	250	380V	4	100
	AB-200	450	380V	4	200
AOB	AOB-12	25	380V	3	12
	AOB-25	60	380V	4	25
	AOB-50	90	380V	4	50
	AOB-100	180	380V	4	100
	AOB-200	370	380V	4	200
JCB	JCB-22	125	380V	3.3	22
	JCB-45	150	380V	3.3	45
	JCB-90	500	380V	5	90
DOB	DOB-10	25	220V	3	10
	DOB-12	25	220V	3	12
	DOB-25	60	220V	4	25



AB、DB、JCB、AOB、DOB三相电泵、机床冷却油泵
AB, DB, JCB, AOB, DOB three-phase electric pump, machine tool cooling oil pump

LQRY系列热油泵(导热油泵) LQRY series thermal oil pump(thermal conductive oil pump)

概述

LQRY系列热油泵,在我国载热体加热系统中得到广泛的使用,已经进入石油、化工、橡胶、塑料、制药、纺织、印染、筑路、食品等各个工业领域,主要用于输送不含固体颗粒的弱腐蚀性高温液体,使用温度 $\leq 370^{\circ}\text{C}$,是一种理想的热油循环泵。

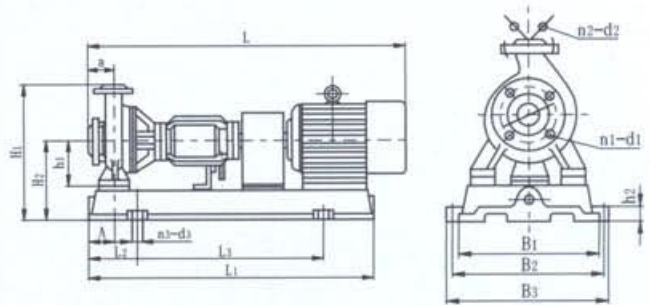
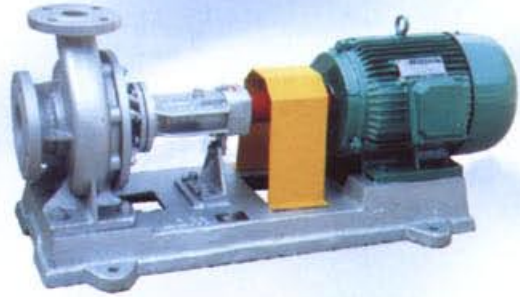
LQRY热油泵(导热油泵)规格性能参数表

LQRY thermal oil pump(thermal conductive oil pump) specification performance parameter table

型号 LQRY Model	流量 Flux m^3/h	扬程 Head m	转速 Rotation r/min	功率Power KW	
				轴功率 Axial power	配用功率 Combined power
26-20-100	4.5	15	2825	0.45	0.75
50-32-150	8	22	2740	1.0	1.5
50-32-160	10	25	2840	1.5	2.2
65-40-160	12.5	25	2880	2.5	3
50-50-170	12.5	32	2890	3.2	4
65-50-180	32	32	2900	4.5	5.5
65-50-170	40	25	2900	4.5	5.5
80-50-180	40	40	2900	6.7	7.5
80-50-170	60	20	2900	6.7	7.5
100-65-190	60	38	2930	9.2	11
100-65-200	80	40	2930	12.5	15
100-65-220	58	50	2930	12.5	15
100-65-230	100	55	2940	19.5	22
125-100-190	155	30	2940	20	22
100-65-240	100	70	2950	25.5	30
100-65-257	100	80	2950	32.5	37
125-100-220	160	45	2950	25.5	37
125-80-250	160	60	2970	35.5	45
125-100-257	200	60	2970	42.8	55
125-100-260	260	70	2970	64.3	75
125-100-270	300	70	2970	75.3	90
125-100-270	220	85	2970	68	90
150-125-270	340	76	2970	89.5	110
150-125-270	400	78	2970	106	132

Summarize

LQRY series thermal oil pump has been widely used in our thermophore heating system and entered the various industrial fields in petroleum, chemical industry, rubber, plastic, pharmacy, textile, dyeing, road making and food etc. It mainly uses for transmitting the no-solid grain weak corrosive high temperature liquid. The use temperature is $\leq 370^{\circ}\text{C}$. It's an ideal thermal oil circulating pump.



LQRY系列热油泵(导热油泵)外型安装尺寸

LQRY series thermal oil pump(thermal conductive oil pump)overall installing size

油泵型号 LQRY Oil pump Model	电机机座号/功率 Electric motor seat No/power	油泵外形及安装尺寸 Oil pump overall and installing size																	
		L	L1	L2	L3	B1	B2	B3	A	a	h1	h2	H1	H2	D1	D2	n1/d1	n2/d2	n3/d3
26-20-100	Y801-2/0.75	700	630	108	415	200	230	270	75	80	95	25	290	180	85	75	4/14	4/14	4/14
50-32-150	Y90S-2/1.5	800	700	80	525	180	248	295	80	90	132	365	210	125	100	6-17.5	4-17.5	4-16	
50-32-160	Y90L-2/2.2																		
65-40-160	Y100L-2/3	1000	810	110	590	280	360	410	100	150	420	240	145	110	8-17.5	6-17.5	4-20		
50-50-170	Y112M-2/4																		
65-50-180	Y132S1-2/5.5	1100	900	120	660	300	380	440	110	120	180	40	510	285	180	145	8-20	8-17.5	4-22
80-50-180	Y132S2-2/7.5																		
100-65-190	Y160M1-2/11	1200	1049	730	355	440	510	110	120	180	510	285	180	145	8-20	8-17.5	4-22		
100-65-220	Y160M1-2/15																		
100-65-200A	Y160M1-2/15	1300	1180	145	930	415	495	570	115	125	200	570	320	180	145	8-22	8-17.5	4-24	
100-65-230	Y180M-2/22																		
125-100-200	Y180M-2/22	1400	1513	1245	152	480	540	620	140	144	225	45	620	345	220	160	8-22	8-22	4-24
100-65-240	Y200L1-2/30																		
100-65-257	Y200L2-2/37	1580	1400	230	550	600	690	140	144	230	50	725	438	220	190	8-22	8-22	4-24	
125-100-220	Y200L2-2/37																		
125-80-250	Y225M-2/45	1628	1510	275	960	540	620	695	150	144	230	50	725	438	220	190	8-22	8-22	4-24
125-100-250	Y250M-2/55																		
125-100-257	Y280S-2/75	1818	1590	250	1090	628	720	780	145	150	230	45	750	440	240	210	8-22	8-17.5	4-24
125-100-260	Y280S1-2/90																		
125-100-270	Y280S1-2/90	1888	1590	250	1090	628	720	780	145	150	230	45	750	440	240	210	8-22	8-17.5	4-24
150-125-270	Y351S-2/110																		
150-125-270	Y351M1-2/132	1888	1590	250	1090	628	720	780	145	150	230	45	750	440	240	210	8-22	8-17.5	4-24

LQGB系列高粘度沥青保温泵 LQGB series high viscosity pitch temperature keeping pump

概述

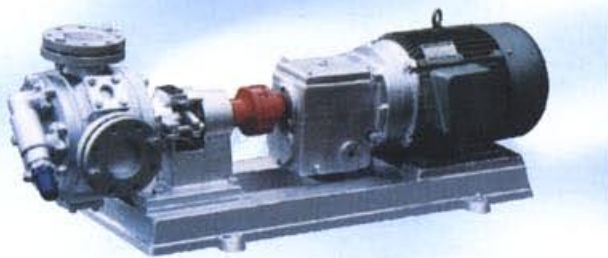
LQGB系列高粘度保温泵是具有九十年代国际水平，国内最先进的粘稠液体需送泵，该泵用于高温的粘稠、稀与稠的悬浮液体、浮状液体的输送，具有保温和加热及控制超压的功能。

该泵是专为输送需要加热和保温和重质粘稠液，设计加工、结构简单、使用维修方便，属于容积式内齿子泵。泵内采用正排量转子和惰轮组合体，使泵有需送量大、流量平稳、噪声低、内泄漏量小、密封性能好和结构紧凑的优点。泵的各项性能技术指标明显高于国内同类产品。

LQGB泵的正排量转子和惰轮组合体工作中有较好的缓冲作用，能达到低切变，无肪冲的液体需送。内齿轮的齿形为冠齿形，内齿泵腔的“通进容积”，是由泵体月牙形壁面和两上液体封闭面的轮齿表面围成的，在齿轮的不断旋转中产生压力液体，达到需送的目的。

本泵具有“强制锁定”功能可将子和轴精确定位，降低磨损，延长使用寿命。泵设有完全阀，可保护系统不受超压的损坏，自动溢流。泵反转时，应将阀反向安装，安全阀螺母须朝向吸油口。

为便于泵的进口和排出口的连接，泵壳体能够在支架上旋转八个角度。



LQGB系列高粘度保温泵基本技术参数表

LQGB series high viscosity temperature keeping basic technical parameter table

型号参数 Model parameter	流量 Flux L/min (升/分)	泵出口压力 Pump outlet pressure Mpa (兆帕)	泵转速 Pump speed r/min (转/分)	吸入真空度 Sucked vacuum degree m (米液柱)	进出口直径 Inlet/outlet diameter mm (毫米)	电机型号功率 Motor model power kw (千瓦)	液体粘度 Liquid viscosity mm ² /秒	介质温度 Medium temperature ℃(摄氏度)	输送距离 Convey distance m	总重量 Total weight kg
LQGB/580/1	580	1	388	0.95	100	Y180L-6 15	4300	350	70	500
LQGB/580/0.8	580	0.8	388	0.95	100	Y160L-6 11	3250	350	60	500
LQGB/870/0.6	870	0.6	584	0.95	100	Y180L-4 18.5	1500	350	50	500
LQGB/450/1	450	1	388	0.95	80	Y160L-6 11	4300	350	70	450
LQGB/450/0.8	450	0.8	388	0.95	80	Y160L-6 7.5	3250	350	60	450
LQGB/680/0.6	680	0.6	584	0.95	80	Y160L-4 11	1500	350	50	450
LQGB/270/1	270	1	388	0.95	50	Y160L-6 7.5	4300	350	70	400
LQGB/270/0.8	270	0.8	388	0.95	50	Y132L-6 5.5	3250	350	60	380
LQGB/400/0.6	400	0.6	584	0.95	50	Y132L-4 7.5	1500	350	50	380
LQGB/200/0.6	200	0.6	710	0.95	40	Y132L-8 3	1500	350	50	150

Summarize

LQGB series high viscosity temperature keeping pump is a 90 international level and domestic most advanced viscosity liquid convey pump. This pump uses for high temperature viscosity, thin and thick suspended liquid and float liquid convey, it possesses the temperature keeping and heating and control extra-pressure function.

This pump is specially for heating and temperature keeping and heavy mass viscosity thick liquid needed in transmission. It possesses the features of simple and compact structure, convenient operation and belongs to a capacitance inner gear pump. The internal adopts the positive-displacement rotor and idle wheel combination body, so that the pump may have the merits of large convey volume, steady flow, low noise, small leakage volume, good sealing performance and compact structure etc. The various performance technical indexes are obviously higher the same products at home.

LQGB pump positive-displacement rotor and idle-wheel combination body have good buffer function, which can reach the low changeover and nonimpact liquid convey. The inner gear shape is a crown gear shape and the inner gear pump cavity "through-in capacity" is surrounded by the pump body crescent wall face and two liquid seal face gear surface, which can produce the pressure liquid and reach the convey purpose under the uninterrupted rotary of the gear.

This pump possesses the "forbidden lock" function, which can fix the position of the axle accurately, reduce the damage and prolong the use life. The pump has the complete valve, which can protect the system not to be damaged by the extra pressure, automatically overflow. When the pump rotates adversely, install the valve adversely and the safe valve nut must face the oil suction mouth.

In order to connect the inlet and outlet entrance easily, the pump case body can rotate 8 angles on the support.

BBG型内啮合摆线齿轮泵 BBG inner clutch cycloid gear pump

概述

BBG型摆线齿轮泵是一种容积式内啮合齿轮泵，其内齿轮（即外转子）为圆弧齿形，外齿轮（即内转子）为短幅外摆线的新型齿轮泵。

由于该泵结构简单、噪音低、输油平稳、自吸性能好、高转速特性，因而在低压液压系统中被广泛采用，可作为动力泵或润滑泵和冷却泵，本泵适用于输送各种油类。

Summarize

BBG cycloid gear pump is a capacitance inner clutch gear pump, its inner gear (outer rotor) is a round arc gear shape and the outer gear (inner rotor) is a short amplitude outer cycloid new type gear pump.

It can be widely used in low pressure system because of its simple structure, low noise, steady and flat oil-line and good self-sucked performance high speed characteristic. It can be used as the dynamic pump or lubricating pump and cooling pump. This pump is suitable for transmitting all kinds of oil.



性能规格 Performance specification

型号 Model	流量(升/分) Flux (l/min)	压力MPa Pressure	转速(转/分) Rotation (r/min)	压力摆幅MPa Pressure amplitude	容积效率(%) Volumetric Efficiency	口径 Bore	电动机功率(瓦/转) Motor power Kw/r
BB-4 BBG-4	4	2.45	1500	±0.15	≥80	Z3/8"	0.25/1450
BB-6 BBG-6	6						0.37/1450
BB-10 BBG-10	10						0.55/1450
BB-16 BBG-16	16	2.45	1500	±0.15	≥90	Z3/4"	1.1/1450
BB-20 BBG-20	20						1.1/1450
BB-25 BBG-25	25						1.5/1450
BB-32 BBG-32	32						1.5/1450
BB-40 BBG-40	40						2.2/1450
BB-50 BBG-50	50						3/1450
BB-63 BBG-63	63	2.45	1500	±0.15	≥90	Z1"	4/1450
BB-80 BBG-80	80						5.5/1450
BB-100 BBG-100	100						5.5/1450
BB-125 BBG-125	125						7.5/1450



上海申贝泵业制造有限公司

地 址：上海万荣路839号

邮政编码：200072

电 话：021-56652308 56034268

传 真：021-56652046

网 址：<http://www.sbpump.com>

E-mail: master@sbpump.com ctmha@vip.sina.com